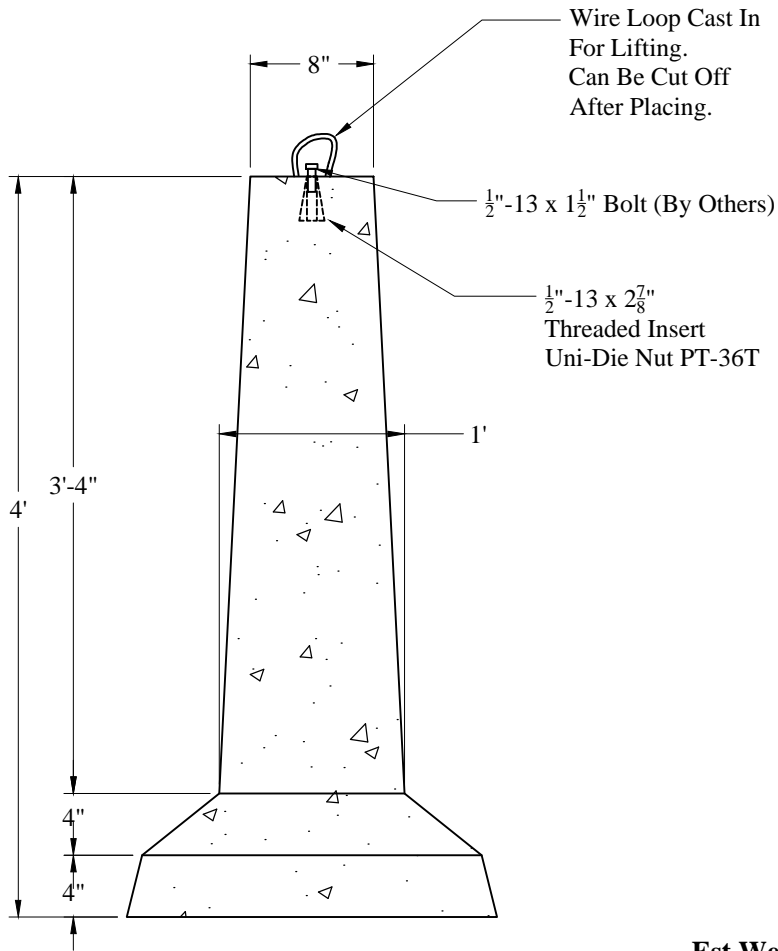
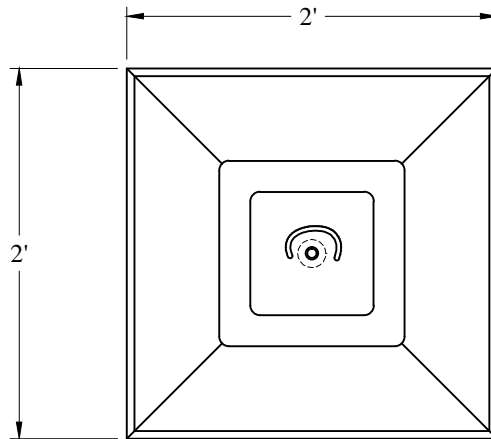


1-800-639-2199

Fax (603) 224-2927

Deck (Frost) Posts 1/4 Ft. Deck Post



Est Weight: 625 Lbs

General Notes

1. Concrete: $f_c = 4,000$ psi @ 28 Days Minimum
2. Reinforcement Steel Conforms to:
ASTM A615 Grade 60 Black Deformed Bars

Phoenix
Precast
Products

4' Deck Post

P/N: DP-4

Phoenix Precast Products

Phoenix Precast Products